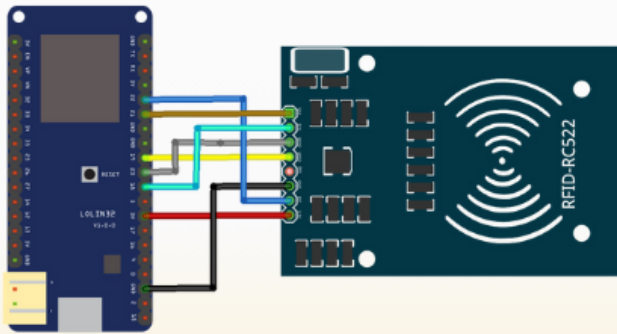




GO WIRELESS WITH ARDUINO WORKSHOP!

**DISCOVER HOW WIRELESS
COMMUNICATION TRANSFORMS
ELECTRONICS!**



WHY JOIN?

This hands-on workshop will teach you to use the ESP32 microcontroller for Wi-Fi and Bluetooth applications. You'll learn to send and receive data, control LEDs, and operate LCD screens using Arduino coding principles.



DATE & TIME

13 FEBRUARY 2025,
THURSDAY
6:00 PM - 08:00 PM



LOCATION

ECG 101

SCAN HERE TO RSVP!



**Note: All necessary tools will be provided. If you any have
questions, please email Michael Machas at
mmachas@asu.edu.**